



Instruction Manual

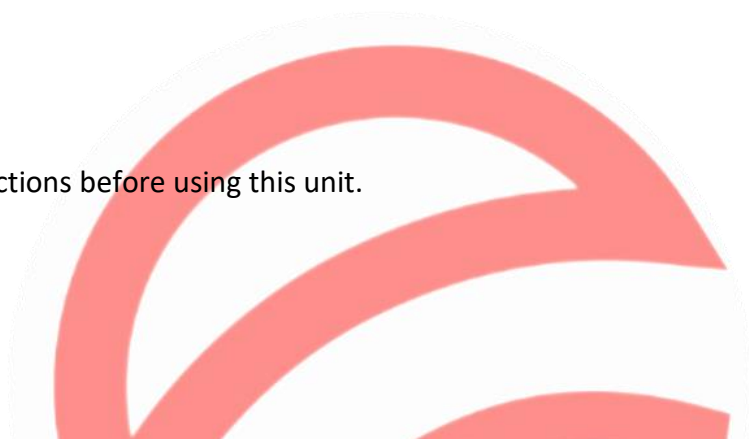
TOASTERS

Models:

TTH 3002, TTH 4400, TTV 2400, TTV 4000



ATTENTION: Please, read these instructions before using this unit.





CONTENTS

1. CE CERTIFICATION	2
2. TECHNICAL CHARACTERISTICS	3
2. WARRANTY	4
3. INSTRUCTIONS FOR INSTALLATION AND MAINTENANCE	6
4 USE INSTRUCTIONS	8
5 MAINTENANCE	11

1. CE Certification

DECLARACIÓN UE DE CONFORMIDAD ***EU DECLARATION OF CONFORMITY***

Directiva(s) del Consejo con la(s) que se declara conformidad:

Council Directive(s) to which conformity is declared:

DC 2014/35/EU + DC 2014/30/EU + DC 2011/65/EU

Aplicación de las Normas:

Application of the Standards:

UNE-EN 60335-1:2012 + AC:2014 + A11:2014 + A13:2017 + A14:2014 + A2:2020 + A1:2020; UNE-EN 60335-2-42:2004 + Corr:2007 + A1:2008 + A11:2012; UNE-EN 55014-1:2017 + A11:2021; UNE-EN 55014-2:2015; UNE-EN 61000-3-2:2014; UNE-EN 61000-3-3:2013 + A1:2020

Fabricante / *Manufacturer's name* **FM CALEFACCIÓN S.L.**
CIF: B-14343594

Dirección / *Manufacturer's address*: **CTRA. de Rute km.2.700, C.P.:14900, Lucena,**
Cordoba, Spain

Tipo de aparato / *Type of device*: **TOSTADOR DE PAN / ELECTRIC TOASTER**

Marca / *Trade.*: **FM CALEFACCIÓN**

Modelo / *Model no.* **TTV4000, TTV2400, TTH3200, TTH4400**

Nosotros, los abajo firmantes, declaramos bajo nuestra exclusiva responsabilidad que el equipo especificado cumple con la(s) Directiva(s) y Norma(s) mencionadas

We, the undersigned, hereby declare under our sole responsibility that the specified equipment is in conformity with the above Directive(s) and Standard(s)

Lugar / *Place*: **Lucena**



(Firma / Signature)

B-14343594

2. Warranty

The warranty period is **12 months** from the date of purchase of the unit.

The warranty does not cover damages to the glass, lamps, door seals, damage to the insulating material or damage caused by improper installation or maintenance, lack of maintenance, improper repair or misuse.

To process the repair of a unit under warranty or for any other query, please contact your distributor and refer to the following description table.

Distributor:	Destination country:
Unit model:	Serial number:
Name:	Date of the request:
Fault description:	
Address:	
Contact phone number:	Working hours:

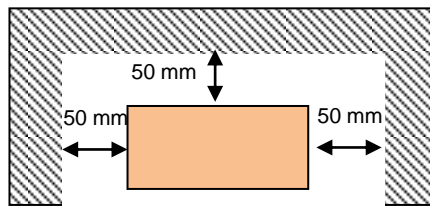


Warning: improper adjustment, installation, service or maintenance of the unit may lead to damages to the goods or persons. For this reason, please, read this manual thoroughly before starting the unit.

3. Instructions for installation and maintenance

3.1 Placement distances

The distances from the device to adjacent elements should be as shown in the diagram, we recommend leaving at least 50 mm of safety distance.



It should be placed on a stable, horizontal, metallic surface and in an area illuminated for this purpose.

Take special care with the position of the device since its surfaces reach high temperatures and under no circumstances should it be placed in the vicinity of combustible materials.

NEVER, under any circumstances, leave the connection hose of this or any other appliance on top of the appliance, the high temperatures may damage it and in extreme cases cause a short circuit.



Also, **NEVER TOUCH** surfaces marked “hot” when the appliance is in operation.

3.2 Instalación eléctrica

Make sure that the mains characteristics correspond to those described in the “Technical Characteristics”. A separate power supply line protected by a magneto-thermal circuit breaker with a minimum rating of 20 A is recommended.

4. Instructions for use

4.1 User instructions

Read this manual carefully before starting to work with the appliance, keep it for consultation and when you need technical assistance, go to an authorized center.

The appliance is designed to toast or heat bread or other foods of similar characteristics, the maximum height will be 60 mm.

We also recommend that you preheat the appliance to the working temperature for about 3 minutes, this will guarantee a better product finish.

4.2 First use of the device

Remove the outer protective film, if any glue remains, use a suitable solvent and then clean with soap and rinse.



Run an initial cycle with both heating elements connected and full speed for 30 minutes. This will allow a correct adjustment and greasing of the elements so you will notice some emission of non-toxic gases due to the grease that prevents excessive noise from the chain.



Never use products that may be aggressive or acidic, as this could damage the device.

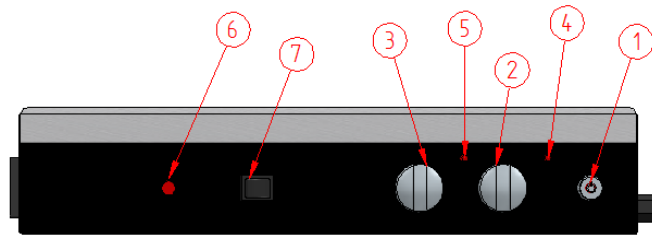


Always disconnect the power supply and wait until the appliance is cold before carrying out maintenance or cleaning operations.

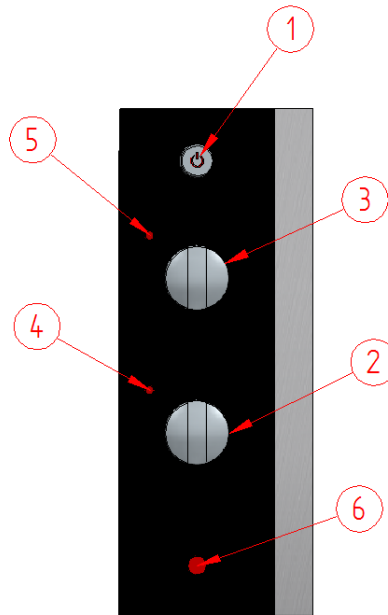
There are two variables that the user can regulate: chain speed and power of the heating elements, both of which are affected by the type of food and the quantity introduced into the toaster.

The different controls found on the control panel are specified below:

CONTROL PANEL TTH 3002 / TTH 4002:



CONTROL PANEL TTV 2400 / TTV 4000:



1. **ON/OFF switch:** Press the switch to start the roaster to turn it off.
2. **Power control knob for lower heating element:** The knob moves on a scale ranging from 0-10. Turn the knob to the desired position to achieve the required level of browning in the lower zone of the product.
3. **Power control knob for upper heating element:** The knob moves on a scale ranging from 0-10. Turn the knob to the desired position to achieve the required browning level in the upper zone of the product.
4. **Lower heating element power LED.**
5. **Upper heating element ignition LED.**
6. **Speed regulation knob:** Turn the knob to the desired position to obtain the required chain speed. Note that if the knob is in the "0" position, the chain will be static.
7. **Direction of rotation switch (only on model TTH 3002):** This switch allows you to change the rotation of the chain.

The chain speed is regulated by means of potentiometer. Thus, when we start the toaster again, the chain will adopt the speed we had used.

VERY IMPORTANT: Do not unplug the appliance from the mains while it is in operation as this may cause irreparable damage to the electronics of the appliance. To unplug the unit, it must first be switched off using ON/OFF switch.

4.3 Accesories and assembly

- *Plate Warmer Stand*

In some of the models of horizontal toasters we can find the plate warmer support / overlapping kit, its installation is made on the cover of the toasters through four screws M5x16 DIN 7380, which are included with the accessory item.

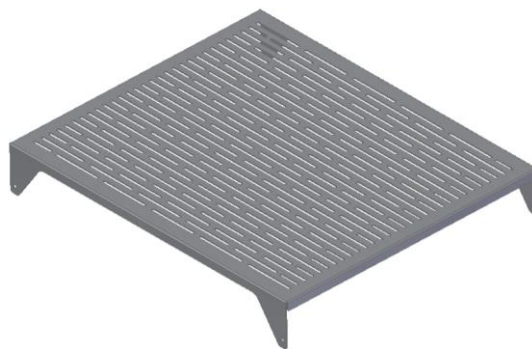
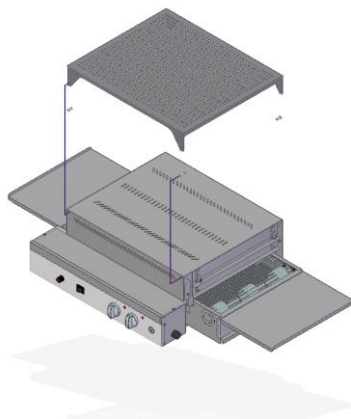


Plate Warmer Stand / Superposition Kit

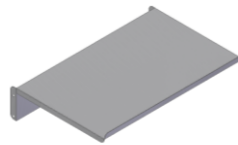
Installation example:

- *Use Allen key of 3mm*



- *Supplement tray*

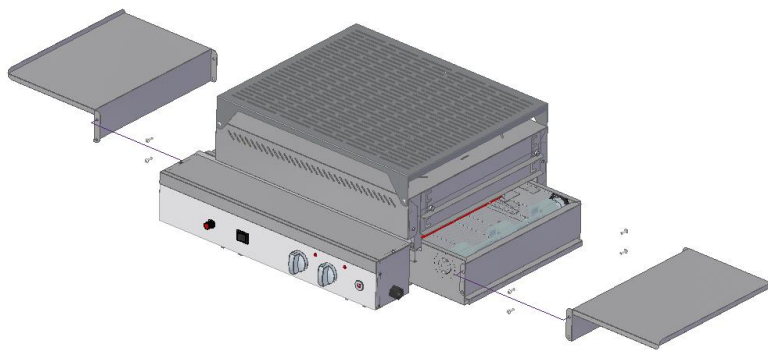
In some of the models of horizontal toasters we can find supplementary trays, their installation is done in the same way as the plate warmer support.



Supplement tray

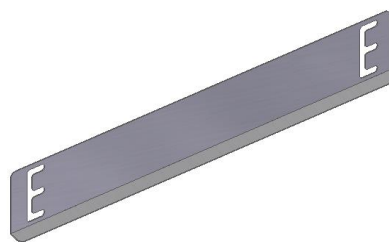
Installation example:

- *Use Allen key of 3mm*



- *Tunnel exit regulation plate*

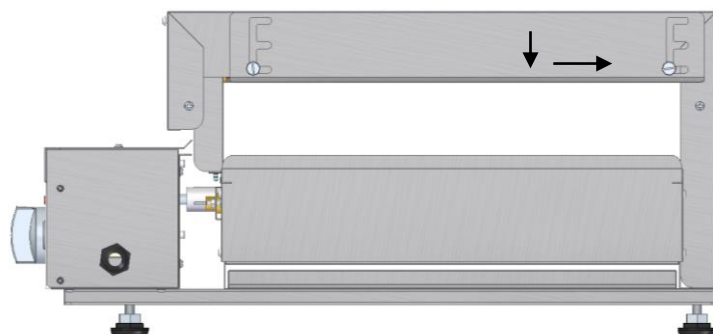
In some of the models of horizontal toasters we can find plates to regulate the height at the exit of the tunnel depending on the use (bread/pizza), 4 MGx12 screws are used.



Tunnel exit regulation plate

Installation example :

- *Manually modify by means of a flat screwdriver, move according to the desired position (handle when the toaster is cold).*



4.4 Connections



In case of failure and repair of the electronic board it is very important to always keep the wiring diagram. Failure to do so may result in a short circuit causing irreparable damage to the electronic board.



5. Maintenance

When you have finished working with the appliance, disconnect it from the mains, wait for it to cool down and clean it with soap and water, then rinse and dry the appliance leaving the door open for about 30 minutes. DO NOT SPRAY WATER DIRECTLY ON THE APPARATUS, it could damage any component.

When you start to hear noise from the chain, please grease the drive system using substances recommended and certified for food use.

The following is a list of the most frequent causes of failure and their possible solutions.

FAILURE	CAUSE	SOLUTION
Device does not turn on	Lack of mains voltaje	Check mains voltaje
	Inadequate network connection	Check network connection
	Some mode does not work	Contact a specialized technician
	Speed regulator does not work	Contact a specialized technician
The device smokes slightly	Chain lubrication being carried out	Wait 30 minutes, in that time it should dissappear. If the problem persist, contact a specialized technician
The device makes noise	Lack of chain lubrication	Grease the chain using substances recommended and certified for food use
Appliance does not roast properly	Engine does not work	Contact a specialized technician
	Resistence does not work	Contact a specialized technician



FM CALEFACCIÓN S.L.
B-14343594

Carretera de Rute, km. 2'700
14900 Lucena (Córdoba)
www.fmindustrial.es